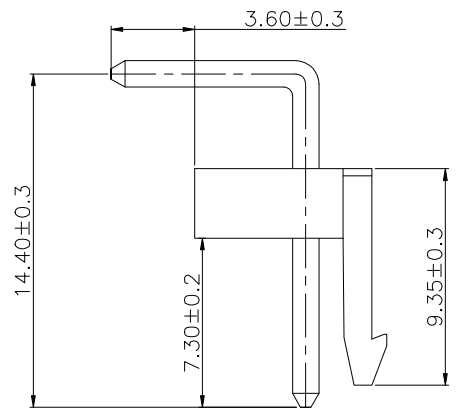
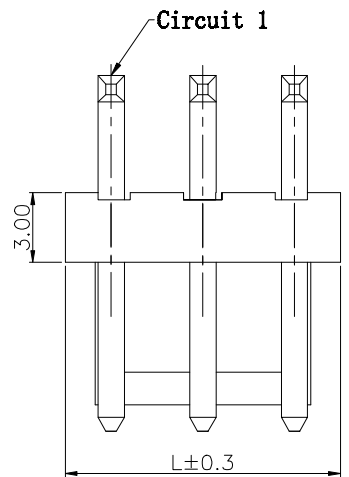
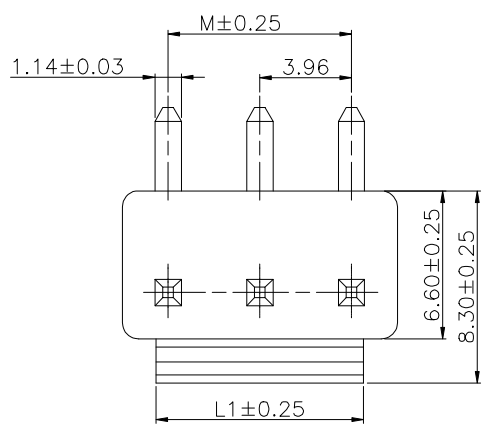


1 2 3 4 5 6 7 8 9

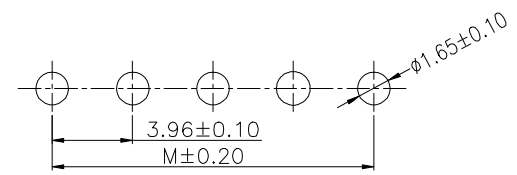
F
E
D
C
B
A



Specifications
 Current Rating:7.0A AC DC
 Voltage Rating: 250V AC DC
 Insulation Resistance:1000MΩ Min.
 Dielectric Withstanding Voltage:1500V AC/minute
 Contact Resistance:20mΩ Max.
 Operating Temperature:-25°C to +85°C
 Materials
 Contact Material: Brass
 Insulator Material:Nylon-66,UL 94V-0
 All materials must meet Greenconn hazardous substances control standards.



Pins	Dimensions (mm)		
	M	L1	L
02	3.96	5.00	7.94
03	7.92	8.96	11.90
04	11.88	12.92	15.82
05	15.84	16.88	19.82
06	19.80	20.84	23.78
07	23.76	24.80	27.74
08	27.72	28.76	31.70
09	31.68	32.76	35.66
10	35.64	36.68	39.62
11	39.60	40.64	43.58
12	43.56	44.60	47.54
13	47.52	48.56	51.80
14	51.48	52.52	55.46



SUGGESTED PCB LAYOUT
(COMPONENT SIDE)

Ordering Information

GWJB110 - XX XX A 001 E X B X

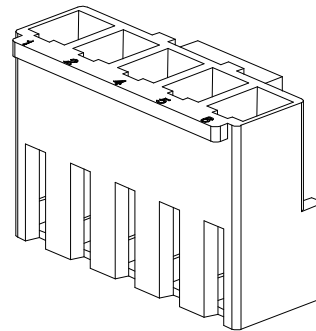
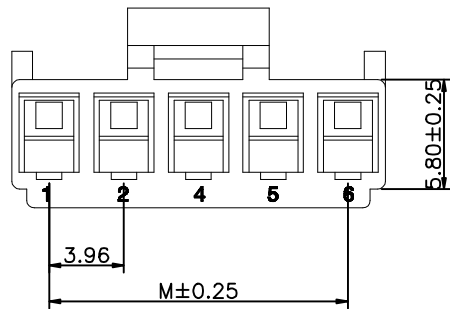
No. Of Pins Per Row 02~14 Standard Plating 01= Tin Color 2=White Standard Packing N=PE Bag

<p>Website:www.greenconn.com E-mail:sales@greenconn.com</p>	3RD.ANG PROJ. 	GENERAL TOLERANCE		DESIGNED:	DATE:	DWG. NO. GWJB110-CA001EB	TITLE. 3.96mm PITCH WAFER 90° DIP TYPE
		X:±5'	X:±0.50				
REV. A	UNIT. mm	SCALE. 1:1	PAGE. 1/1	.X'±2'	.X±0.30	PART NO. GWJB110-04XXA001EXBX	
				.XX'±1'	.XX±0.20		
				.XXX'±/	.XXX±/		

AQ 1 2 3 4 5 6 7 8 9

1 2 3 4 5 6 7 8 9

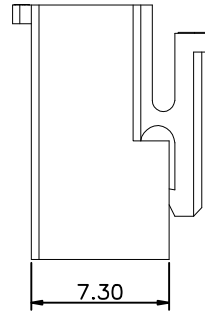
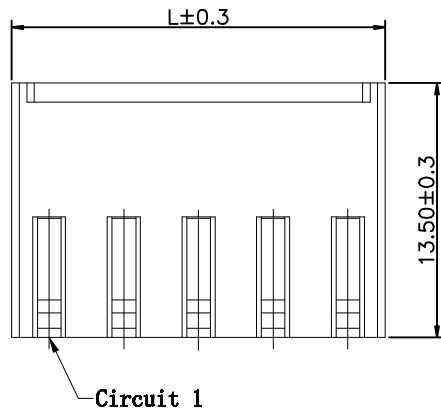
F



Specifications:
 Contact resistance: $\leq 20\text{m}\Omega$
 Insulation resistance: $\geq 1000\text{M}\Omega$
 Rated voltage: 250V AC DC
 Rated current: 7.0A AC DC
 Withstand Voltage: 1500V AC/minute
 Temperature Range: $-25^{\circ}\text{C} \sim +105^{\circ}\text{C}$
 All materials must meet GREENCONN hazardous substances control standards.

E

D



C

B

Ordering Information

GWJ111 - XX A XX

No. of Pins/Row
02~14

Material/Color
P1=NYLON66/White

No. of PIN/ROW	M	L
02	3.96	7.92
03	7.92	11.88
04	11.88	15.84
05	15.84	19.80
06	19.80	23.76
07	23.76	27.72
08	27.72	31.68
09	31.68	35.64
10	35.64	39.60
11	39.60	43.56
12	43.56	47.52
13	47.52	51.48
14	51.48	55.44

A

Greenconn
 Website: www.greenconn.com
 E-mail: sales@greenconn.com

REV. A	UNIT. mm	SCALE. 1:1	PAGE. 1/1
--------	----------	------------	-----------

3RD.ANG PROJ.	GENERAL TOLERANCE	
	X. ±5.0'	X. ±0.50
	.X' ±2.0'	.X ±0.30
	.XX' ±1.0'	.XX ±0.25
	.XXX' ±/	.XXX ±/

DESIGNED:	DATE:
CHECKED:	DATE:
APPROVED:	DATE:

DWG. NO. GWJ111-HA
PART NO. GWJ111-XXAP1

TITLE. 3.96 mm PITCH Housing

AQ

1 2 3 4 5 6 7 8 9

F

E

D

C

B

A

1 2 3 4 5 6 7 8 9

F

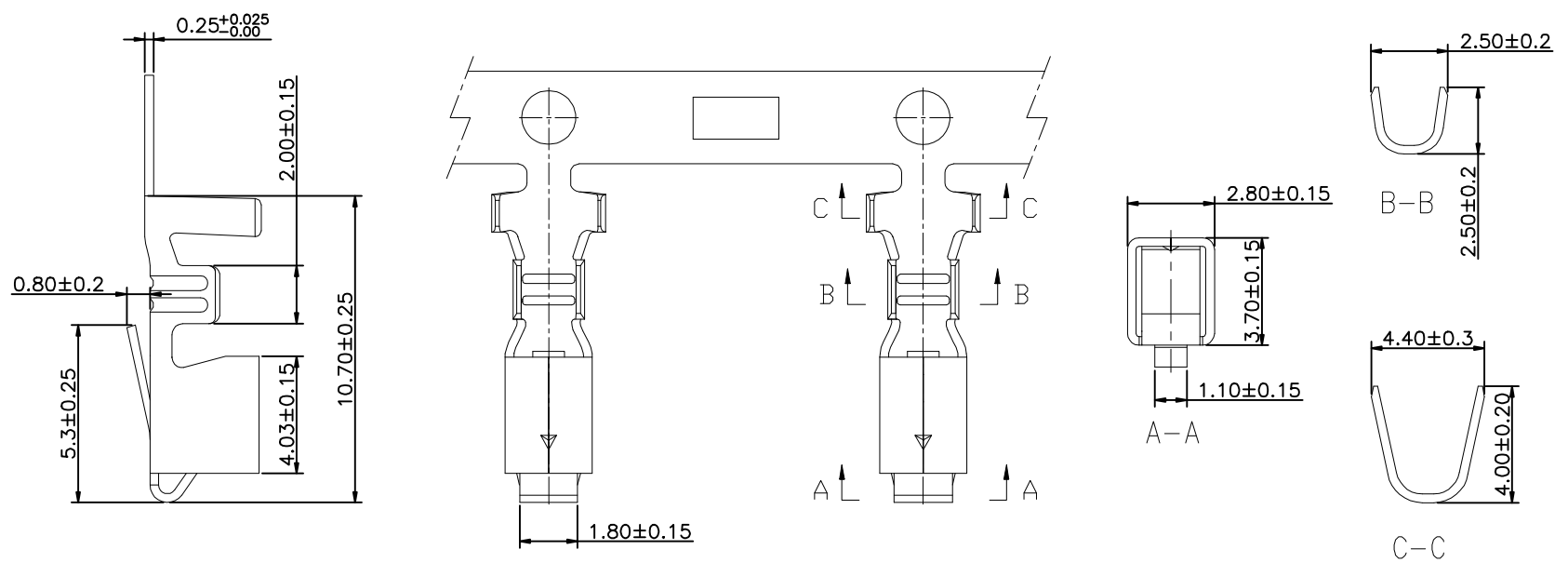
E

D

C

B

A



Ordering Information

GRJ108 - 01 XX XX

Standard Plating
01=Tin

Material
AB=Phosphor bronze

Wire Range	Insulation O.D.	Material	Finish
AWG #22~#18	3.00mm(MAX)	Phosphor bronze	Sn-plated

<p>Website: www.greenconn.com E-mail: sales@greenconn.com</p>	3RD.ANG PROJ.	GENERAL TOLERANCE		DESIGNED: CHECKED: APPROVED:	DATE: DATE: DATE:	DWG. NO.	TITLE.
		X: ±5.0'	X: ±0.50			GRJ108-T1	
	SCALE.	.X' ±2.0'	.X ±0.30			PART NO.	
	1:1	.XX' ±1.0'	.XX ±0.25			GRJ108-0101AB	
REV. A	UNIT. mm	PAGE. 1/1	.XXX' ±/	.XXX ±/			3.96 mm PITCH

AQ

1 2 3 4 5 6 7 8 9

F

E

D

C

B

A