

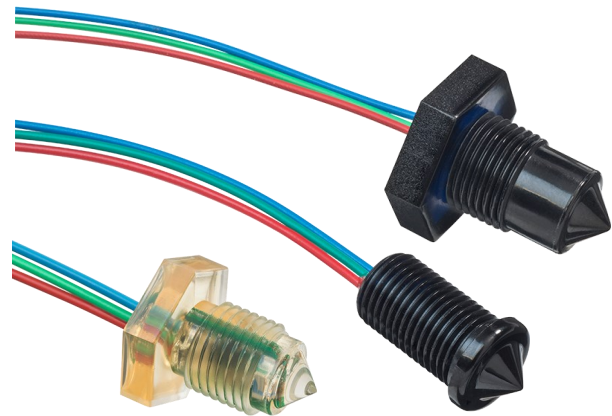
# DATA SHEET

## Liquid Level Switches

### Optomax Digital Series

#### FEATURES

- Liquid level switches that can detect almost any liquid type; oil or water based
- Choice of material; Polysulfone (standard) or Trogamid®
- Choice of threads and terminal connections



<b>Housing/ Mounting</b> <ul style="list-style-type: none"> <li>M10x1</li> <li>M12x1</li> <li>1/4" NPT</li> <li>1/2" SAE</li> </ul>	<b>Output Type / Logic</b> <ul style="list-style-type: none"> <li>PUSH PULL</li> <li>1 HIGH IN AIR, 0 LOW IN AIR</li> <li>0 HIGH IN AIR, 1 LOW IN AIR</li> <li>PWM</li> </ul>	<b>Supply Voltage</b> <p>4.5 - 15.4 V VOLTAGE</p>	<b>Output Current</b> <p>UP TO 100mA CURRENT</p>	<b>Temp</b> <ul style="list-style-type: none"> <li>-25°C to +80°C TEMPERATURE</li> <li>-40°C to +125°C TEMPERATURE</li> </ul>
---	---	---	--	---

#### BENEFITS

- Low power
- Low cost
- Compact design

#### OUTPUT VALUES

**Output Voltage<sup>3</sup> (Vout):** **Iout = 100mA**  
 Output High Vout = Vs - 1.5V max  
 Output Low Vout = 0V + 0.5V max

**PWM**  
 Duty cycle in air 25% ± 10%  
 Duty cycle in liquid 75% ± 10%  
 Frequency 2kHz ± 10%

#### TECHNICAL SPECIFICATIONS

Supply voltage (Vs)	4.5V <sub>DC</sub> to 15.4V <sub>DC</sub> or 4.5V <sub>DC</sub> to 5.5V <sub>DC</sub> (PWM output)
Supply current (Is)	2.5mA max. (Vs = 15.4V <sub>DC</sub> )
Output sink and source current (Iout)	100mA
Operating temperatures	Standard: -25°C to +80°C Extended: -40°C to +125°C
Storage temperatures	Standard: -30°C to +85°C Extended: -40°C to +125°C
Housing material <sup>1, 2</sup>	Polysulfone or Trogamid®
Sensor termination	24AWG, 250mm PTFE wires, 8mm tinned

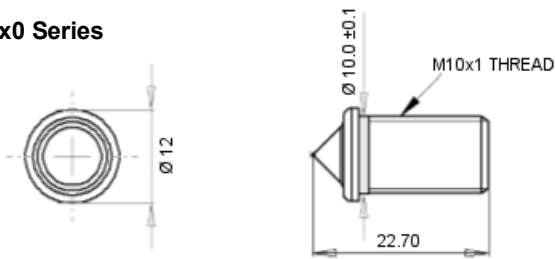


- 1) Above +85°C, Trogamid is suitable for use in water based liquids. Oil based liquids can cause deformation of the sensing tip and must be tested for compatibility.
- 2) Before use check that the fluid in which you wish to use these devices is compatible either with Polysulfone or

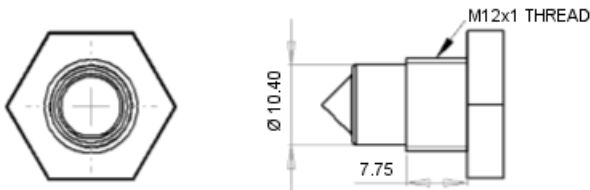
**OUTLINE DRAWING**

All dimensions shown in mm. Tolerances = ±1mm.

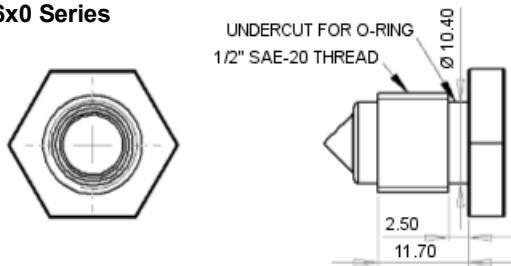
**LLx5x0 Series**



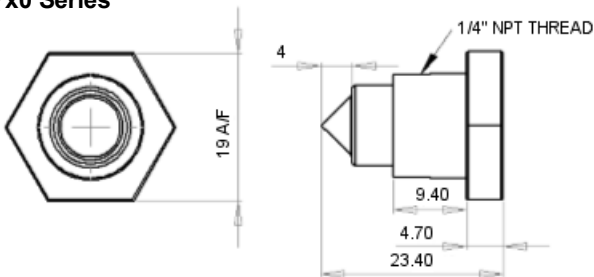
**LLx2x0 Series**



**LLx6x0 Series**



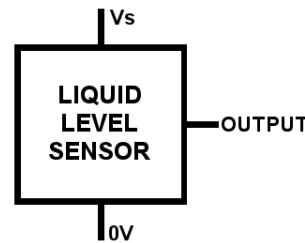
**LLx7x0 Series**



**HOUSING SPECIFICATIONS**

	Housing Series			
	5x0	2x0	6x0	7x0
Thread	M10x1	M12x1x8g with hex nut <sup>1</sup>	1/2" SAE with O-ring <sup>1</sup>	1/4" NPT <sup>2</sup>
Pressure <sup>3</sup>	20 bar / 209 psi max.	7 bar / 101 psi maximum		
Tightening Torque	1.5 Nm / 13.26 in-lbs maximum			

**ELECTRICAL INTERFACE**



Wire	Designation
Red	Vs
Green	Output
Blue	0V



- 1) Hex nut and O-ring sold separately; email:
- 2) NPT version can be sealed with PTFE tape.
- 3) When connecting...

**iSweek** www.isweek.cn

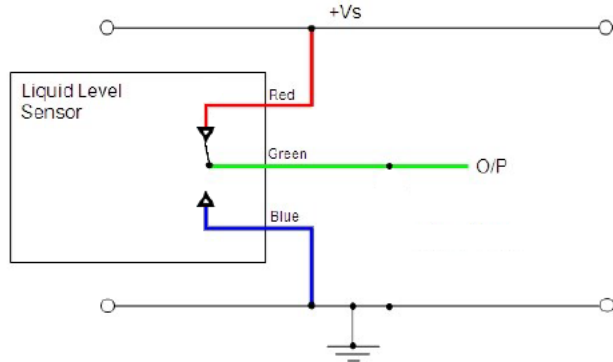
公司名: 深圳市工采网络科技有限公司  
电话: + 86-755-83289069

地址: 广东省深圳市南山区高新南一道中国科技开发院3号楼16层  
传真: + 86-755-83289052  
邮箱: sales@isweek.cn

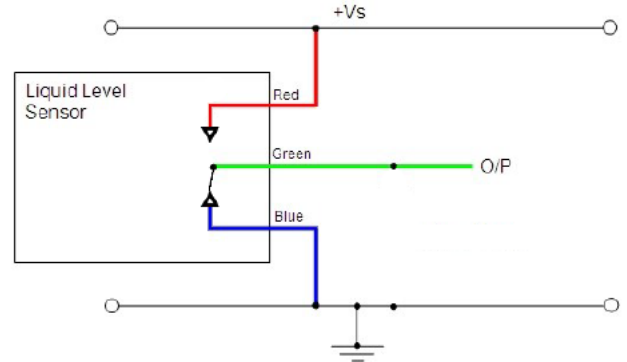
 **CIRCUIT DIAGRAMS**

In order to suit any application, these sensors have been designed with various output circuit configurations.

**Digital Output High in Air**



**Digital Output Low in Air**



**CAUTION:** Take care when connecting loads.

The minimum load impedance should not exceed  $V_s/\text{max output current}$ .

**Note:** Shorting the output to  $V_s$  or  $0V$  will result in irreparable damage to the sensor.

 **ORDER INFORMATION**

Generate your specific part number using the convention shown opposite. Use only those letters and numbers that correspond to the sensor and output options you require — omit those you do not.

**Sensor mounted from inside vessel**

L L X 5 X 0 D 3 X

Housing Material	Operating Temp.	Output Logic
<b>C</b> Polysulfone	<b>0</b> -25 °C to +80°C	<b>Blank</b> Output High in air
<b>T</b> Trogamid®	<b>1</b> -40 °C to +125°C	<b>L</b> Output Low in air
		<b>P</b> PWM output

**Sensor mounted from outside vessel**

L L X X X 0 D 3 X S H

Housing Material	Housing Type	Operating Temp.	Output Logic
<b>C</b> Polysulfone	<b>2</b> 2x0 SH series M12x1	<b>0</b> -25 °C to +80°C	<b>Blank</b> Output High in air
<b>T</b> Trogamid®	<b>6</b> 6x0 SH series 1/2" SAE	<b>1</b> -40 °C to +125°C	<b>L</b> Output Low in air
	<b>7</b> 7x0 SH series 1/4" NPT		<b>P</b> PWM output

**Notes:**

- 5x0 series sensors are mounted internally
- 2x0, 6x0 & 7x0 series sensors are mounted externally
- SH suffix applicable to 2x0, 6x0 & 7x0 series sensors only; omit from 5x0 series sensor part number

