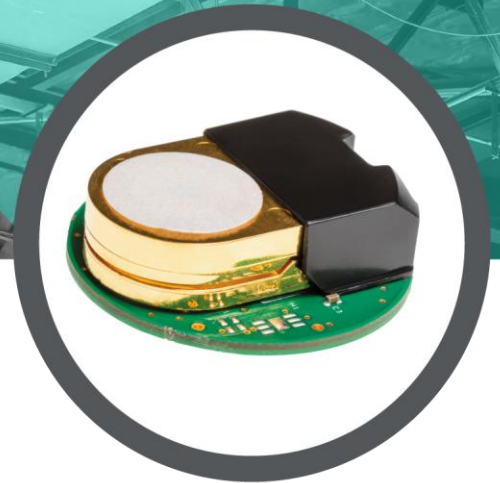


CoZIR[®]-A

- Ultra-low power CO₂ sensor
- Ideal for battery-powered operation
- Fit and forget, fully autonomous operation
- Long life, >15 years

GSS
Gas Sensing Solutions



About the CoZIR[®]-A

The CoZIR[®]-A is a low-power NDIR CO₂ sensor using state-of-the-art solid-state LED optical technology. The LED technology enables the CoZIR[®]-A to reduce power consumption to levels that make it particularly useful for battery powered or wireless interface applications where power is at a premium.

CoZIR[®]-A is a universal sensor option for ambient sensing applications with an easy-to-use UART digital interface or a low impedance voltage output for CO₂ measurement readings. The CoZIR[®]-A features built-in auto-zeroing ensuring the sensor exhibits high accuracy over the lifetime of the sensor. In addition, the CoZIR[®]-A has a number of user definable choices to optimise integration into a wide variety of environments including different mechanical mounting options and extended temperature ranges.

Features

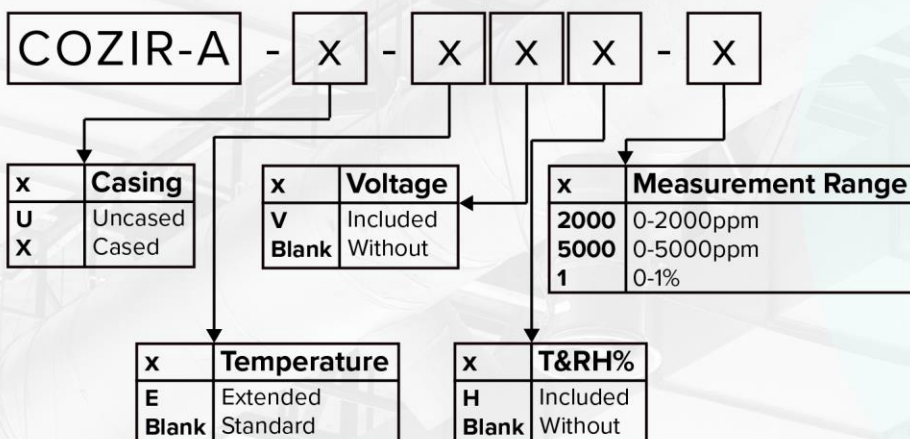
- Ultra-low power CO₂ sensor
- 30ppm (typ.) measurement accuracy
- Solid state LED optical technology
- Optional Temperature and Relative Humidity sensing
- Optional analogue output
- UART data interface
- Built-in auto-zero function
- California Building Standards Code, Title 24 compliant

Applications

- Indoor Air Quality (IAQ)
- IoT and Smart Technology wireless equipment
- Air Quality and HVAC Systems
- Building Management Systems (BMS)
- Demand-Controlled Ventilation (DCV) systems
- Transport
- In-Cabin Air Quality

COZIR[®]-A

Ordering Information



CO₂ Sensor Specifications

Measurement Ranges	0-2000ppm, 0-5000ppm, 0-10000ppm (0-1%)
Accuracy (typ.)	±(30ppm, +3% of reading)
Time to 1st Reading	<1.2 Seconds
Response Time	<30 Seconds (Diffusion Limited)
Sample Method	Solid-state LED NDIR Diffusion

Electrical and Mechanical Specifications

Measurement Output	UART, Analogue (Optional)
Supply Voltage	3.25V – 5.5V
Power Consumption (typ.)	<3.5mW @3.3V
Dimensions and Weight	Ø40.4mm x 11.65mm, 19g - Uncased Ø57mm x 17.25mm, 19g - Cased

Operating Conditions

Operating Conditions – Temperature	0°C to 50°C (Standard) -25°C to 55°C (Extended)
Operating Conditions - Humidity	0-95% RH, non-condensing
Storage Conditions - Temperature	-40°C to +70°C
Ambient Operating Pressure	500mbar to 2bar
Sensor Lifetime	>15 years
Environmental Compliance	RoHS and REACH